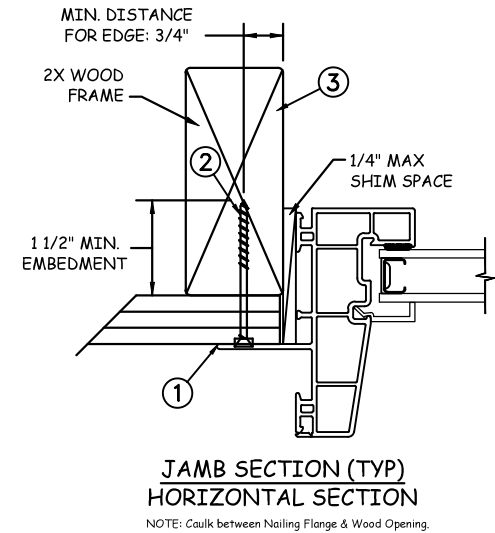


NAIL FIN INSTALLATION



Max Frame	DP RATING	IMPACT
72 x 72	+/-50	NO

Installation Notes:

1. Seal flange/frame to substrate.
2. Use #8 PH or greater fastener through the nail fin with sufficient length to penetrate a minimum of 1 1/2" into the wood framing. For 2X wood frame substrate (min. S.G. = 0.42).
3. Host structure (wood buck, masonry, steel) to be designed and anchored to properly transfer all loads to the structure. The host structure is the responsibility of the architect or engineer of record for the project of installation.

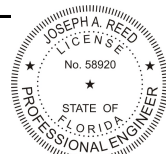
General Notes:

1. The product shown herein is designed, tested and manufactured to comply with the wind load criteria of the adopted International Building Code(IBC), the International Residential Code(IRC), the Florida Building Code(FBC) and the industry requirement for the stated conditions.
2. All glazing shall conform to ASTM E1300.
3. At minimum, glazing shall be single strength annealed insulating glass.
4. Use structural or composite shims where required.
5. Installation methods can be interchanged within the same opening.
6. An impact protective system is required where wind borne debris protection is mandated by local building code.
7. Maximum sizes are buck sizes and do not include fin or flange.

This schedule addresses only the fasteners required to anchor the window to achieve the rated design pressure up to the size limitations noted. It is not intended as a guide to the installation process and does not address the sealing consideration that may arise in different wall conditions. For the complete installation procedure, see the instructions packaged with the window or go to www.jeld-wen.com/resources/installation.

DISCLAIMER:

This drawing and its contents are confidential and are not to be reproduced or copied in whole or in part or used or disclosed to others except as authorized by JELD-WEN Inc.



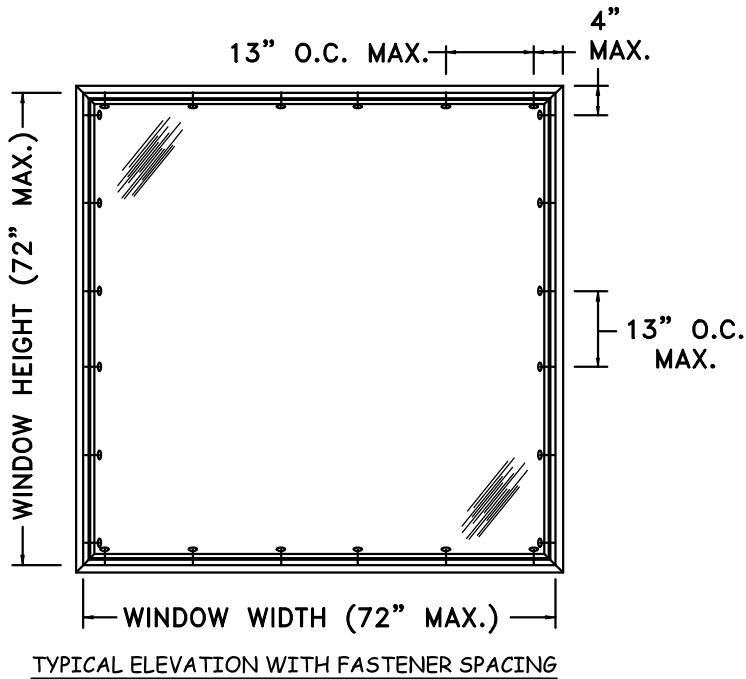
2021.02.04 11:15:22 -05'00'
JOSEPH A. REED, P.E.
Florida PE 58920, REG. No. 33474
National Certified Testing Laboratories
5 Leigh Drive, York, PA. 17406
(717) 848-1200

PROJECT ENGINEER: --	DATE: 06/03/2014
DRAWN BY: D. Vezo	SCALE: NTS
CHECKED BY: J. Kantola	TITLE:
APPROVED BY: --	
PART/PROJECT No.:	
D008147	
IDENTIFIER No. SJW2012-090-FBC	PLANT NAME AND LOCATION:

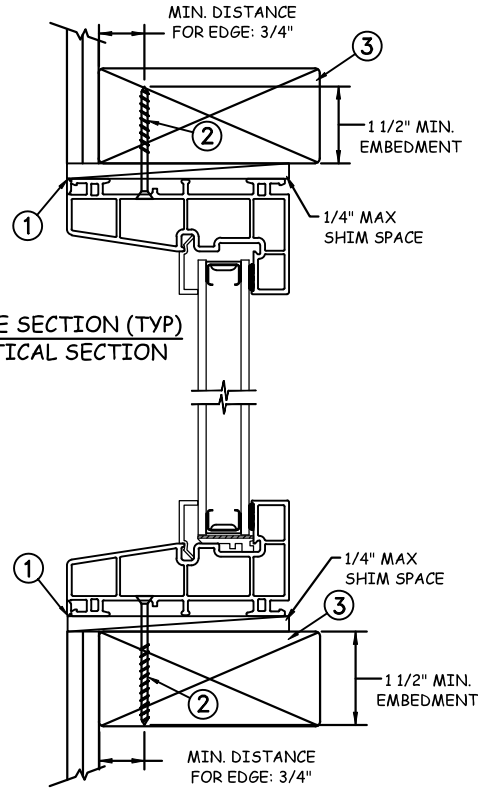
JELD-WEN 3737 Lakeport Blvd
Klamath Falls, OR, 97601
Phone: (541) 882-3451

Premium Vinyl Fixed with Sloped Sill Window
Nail Fin Installation (72" x 72")

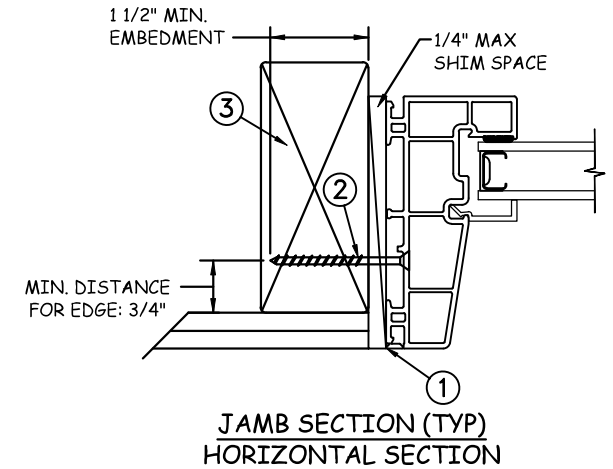
CAD DWG. No.:	REV: 00	SHEET 1 OF 4
---------------	---------	--------------



FRAME SECTION (TYP)
VERTICAL SECTION



THROUGH FRAME
INSTALLATION



Max Frame	DP RATING	IMPACT
72 x 72	+/-50	NO

Installation Notes:

1. Seal flange/frame to substrate.
2. Use #8 PH or greater fastener through the frame with sufficient length to penetrate a minimum of 1 1/2" into the wood framing. For 2X wood frame substrate (min. S.G. = 0.42).
3. Host structure (wood buck, masonry, steel) to be designed and anchored to properly transfer all loads to the structure. The host structure is the responsibility of the architect or engineer of record for the project of installation.

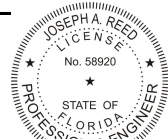
This schedule addresses only the fasteners required to anchor the window to achieve the rated design pressure up to the size limitations noted. It is not intended as a guide to the installation process and does not address the sealing consideration that may arise in different wall conditions. For the complete installation procedure, see the instructions packaged with the window or go to www.jeld-wen.com/resources/installation.

DISCLAIMER:

This drawing and its contents are confidential and are not to be reproduced or copied in whole or in part or used or disclosed to others except as authorized by JELD-WEN Inc.

General Notes:

1. The product shown herein is designed, tested and manufactured to comply with the wind load criteria of the adopted International Building Code(IBC), the International Residential Code(IRC), the Florida Building Code(FBC) and the industry requirement for the stated conditions.
2. All glazing shall conform to ASTM E1300.
3. At minimum, glazing shall be single strength annealed insulating glass.
4. Use structural or composite shims where required.
5. Installation methods can be interchanged within the same opening.
6. An impact protective system is required where wind borne debris protection is mandated by local building code.
7. Maximum sizes are buck sizes and do not include fin or flange.



Joseph A. Reed

2021.02.04 11:15:22 -05'00'
JOSEPH A. REED, P.E.
 Florida PE 58920, REG. No. 33474
 National Certified Testing Laboratories
 5 Leigh Drive, York, PA. 17406
 (717) 848-1200

PROJECT ENGINEER: --	DATE: 06/03/2014
DRAWN BY: D. Vezo	SCALE: NTS
CHECKED BY: J. Kantola	TITLE:
APPROVED BY: --	
PART/PROJECT No.:	
D008147	
IDENTIFIER No.:	PLANT NAME AND LOCATION:
SJW2012-090-FBC	

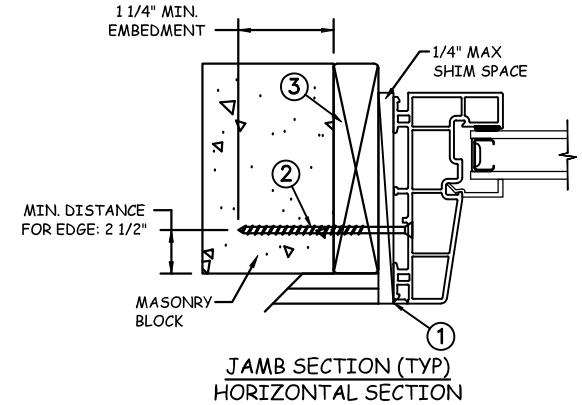
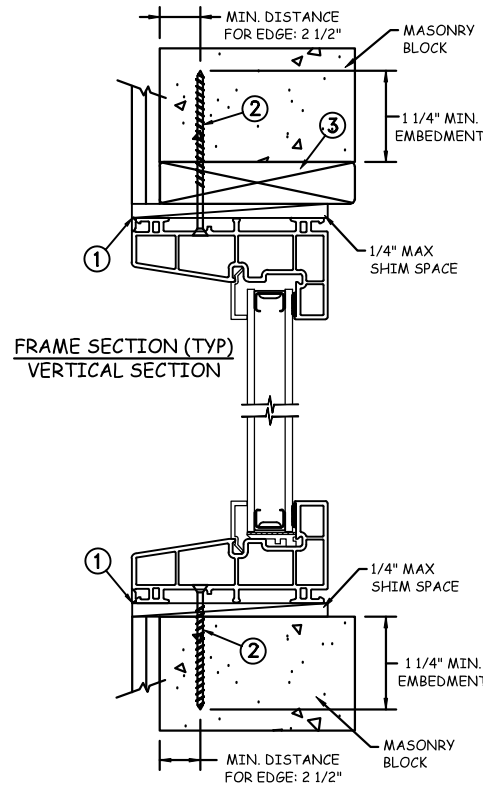
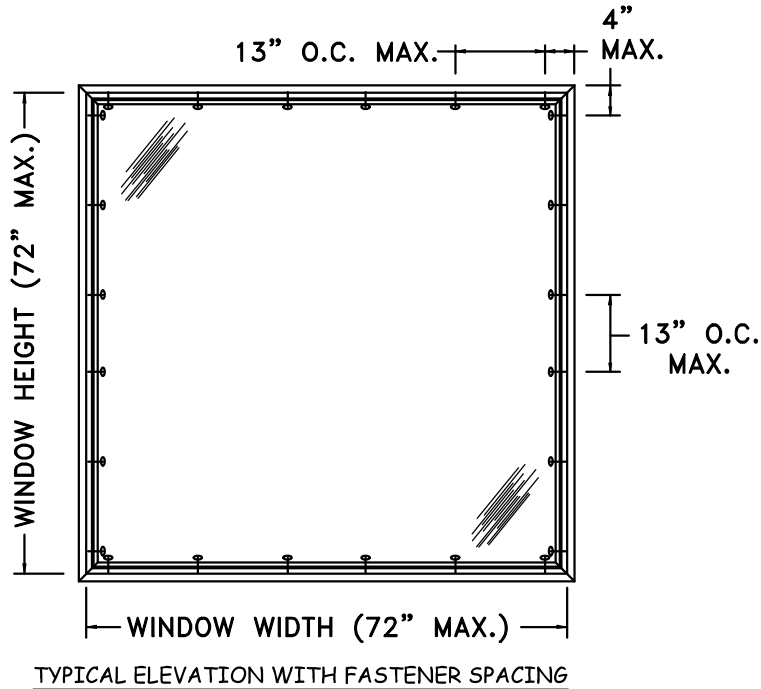
JELD-WEN

3737 Lakeport Blvd
 Klamath Falls, OR, 97601
 Phone: (541) 882-3451

Premium Vinyl Fixed with Sloped Sill Window
 Through Frame Installation (72" x 72")

CAD DWG. No.:	REV: 00	SHEET 2 OF 4
---------------	---------	--------------

MASONRY INSTALLATION



Max Frame	DP RATING	IMPACT
72 x 72	+/-50	NO

Installation Notes:

1. Seal flange/frame to substrate.
2. Use 3/16" Tapcon or equivalent fasteners through frame with sufficient length to penetrate a minimum of 1 1/4" into concrete or masonry at each location with a 2 1/2" min from edge distance. For concrete (min. f_c = 3000psi) or masonry substrate (CMU shall adhere to ASTM C90).
3. Host structure (wood buck, masonry, steel) to be designed and anchored to properly transfer all loads to the structure. The host structure is the responsibility of the architect or engineer of record for the project of installation.

This schedule addresses only the fasteners required to anchor the window to achieve the rated design pressure up to the size limitations noted. It is not intended as a guide to the installation process and does not address the sealing consideration that may arise in different wall conditions. For the complete installation procedure, see the instructions packaged with the window or go to www.jeld-wen.com/resources/installation.

DISCLAIMER:

This drawing and its contents are confidential and are not to be reproduced or copied in whole or in part or used or disclosed to others except as authorized by JELD-WEN Inc.

General Notes:

1. The product shown herein is designed, tested and manufactured to comply with the wind load criteria of the adopted International Building Code(IBC), the International Residential Code(IRC), the Florida Building Code(FBC) and the industry requirement for the stated conditions.
2. All glazing shall conform to ASTM E1300.
3. At minimum, glazing shall be single strength annealed insulating glass.
4. Use structural or composite shims where required.
5. Installation methods can be interchanged within the same opening.
6. An impact protective system is required where wind borne debris protection is mandated by local building code.
7. Maximum sizes are buck sizes and do not include fin or flange.



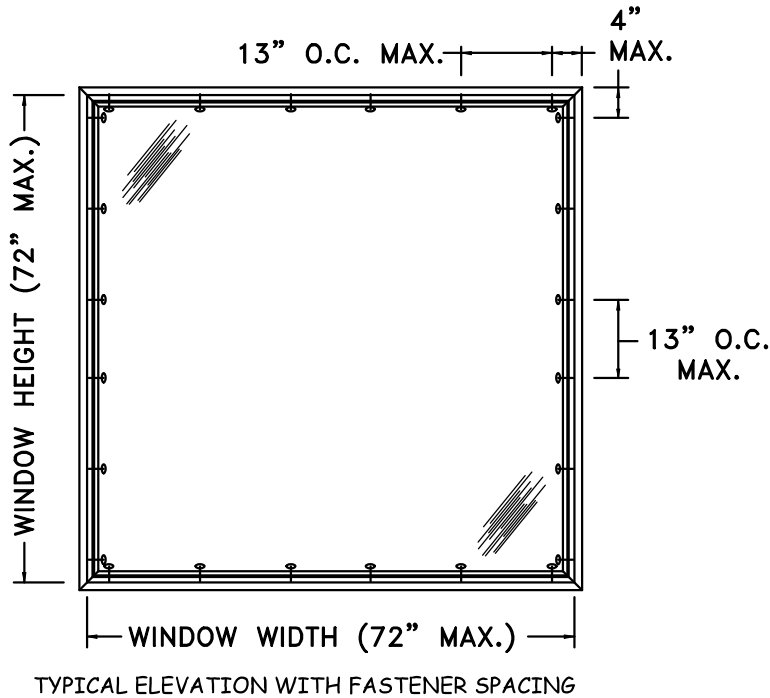
2021.02.04 11:15:22 -05'00'
JOSEPH A. REED, P.E.
 Florida PE 58920, REG. No. 33474
 National Certified Testing Laboratories
 5 Leigh Drive, York, PA. 17406
 (717) 848-1200

PROJECT ENGINEER: --	DATE: 06/03/2014
DRAWN BY: D. Vezo	SCALE: NTS
CHECKED BY: J. Kantola	TITLE:
APPROVED BY: --	
PART/PROJECT No.:	
D008147	
IDENTIFIER No.:	PLANT NAME AND LOCATION:
SJW2012-090-FBC	

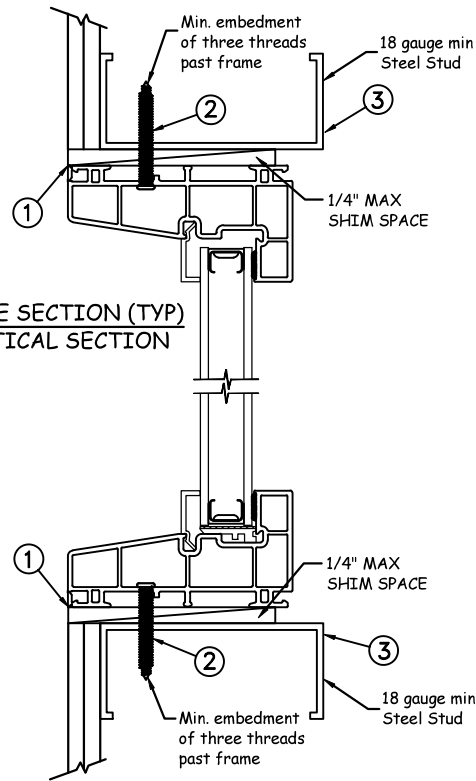
JELD-WEN 3737 Lakeport Blvd
 Klamath Falls, OR, 97601
 Phone: (541) 882-3451

Premium Vinyl Fixed with Sloped Sill Window
 Masonry Installation (72" x 72")

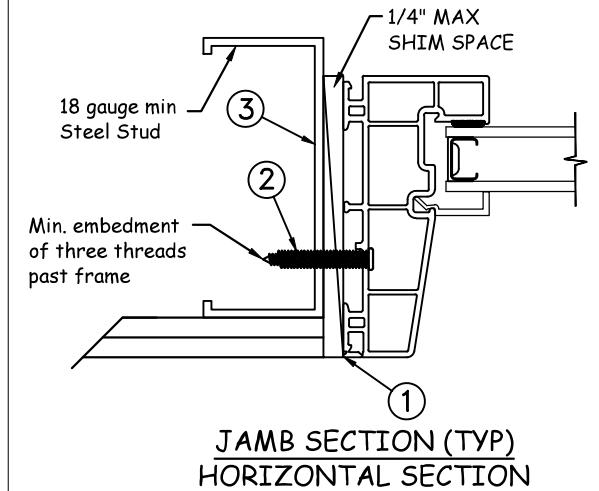
CAD DWG. No.:	REV: 00	SHEET 3 OF 4
---------------	---------	--------------



FRAME SECTION (TYP)
VERTICAL SECTION



STEEL INSTALLATION



Max Frame	DP RATING	IMPACT
72 x 72	+/-50	NO

Installation Notes:

1. Seal flange/frame to substrate.
2. For anchoring into metal framing use #10 TEK Self Tapping screws with sufficient length to achieve a minimum embedment of three threads past the frame thickness. Steel substrate min. 18ga., fy = 33 ksi.
3. Host structure (wood buck, masonry, steel) to be designed and anchored to properly transfer all loads to the structure. The host structure is the responsibility of the architect or engineer of record for the project of installation.

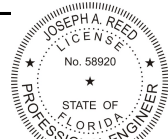
This schedule addresses only the fasteners required to anchor the window to achieve the rated design pressure up to the size limitations noted. It is not intended as a guide to the installation process and does not address the sealing consideration that may arise in different wall conditions. For the complete installation procedure, see the instructions packaged with the window or go to www.jeld-wen.com/resources/installation.

DISCLAIMER:

This drawing and its contents are confidential and are not to be reproduced or copied in whole or in part or used or disclosed to others except as authorized by JELD-WEN Inc.

General Notes:

1. The product shown herein is designed, tested and manufactured to comply with the wind load criteria of the adopted International Building Code(IBC), the International Residential Code(IRC), the Florida Building Code(FBC) and the industry requirement for the stated conditions.
2. All glazing shall conform to ASTM E1300.
3. At minimum, glazing shall be single strength annealed insulating glass.
4. Use structural or composite shims where required.
5. Installation methods can be interchanged within the same opening.
6. An impact protective system is required where wind borne debris protection is mandated by local building code.
7. Maximum sizes are buck sizes and do not include fin or flange.



Joseph A. Reed

2021.02.04 11:15:22 -05'00'
JOSEPH A. REED, P.E.
 Florida PE 58920, REG. No. 33474
 National Certified Testing Laboratories
 5 Leigh Drive, York, PA. 17406
 (717) 848-1200

PROJECT ENGINEER: --	DATE: 06/03/2014
DRAWN BY: D. Vezo	SCALE: NTS
CHECKED BY: J. Kantola	TITLE: Premium Vinyl Fixed with Sloped Sill Window Steel Installation (72" x 72")
APPROVED BY: --	
PART/PROJECT No.: D008147	
IDENTIFIER No. SJW2012-090-FBC	PLANT NAME AND LOCATION:



3737 Lakeport Blvd
 Klamath Falls, OR, 97601
 Phone: (541) 882-3451

CAD DWG. No.:	REV: 00	SHEET 4 OF 4
---------------	---------	--------------